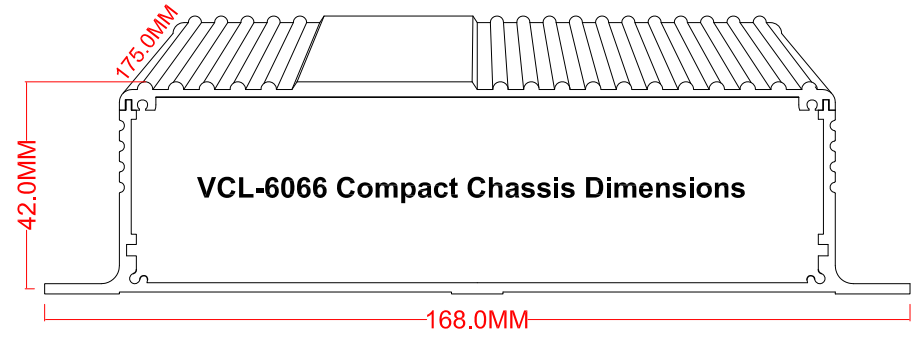


REVISION
DATE
NAME
CHECK
CHECK
CHECK
DATE
REVISION
DATE
CHECK
CHECK
CHECK
APPR.

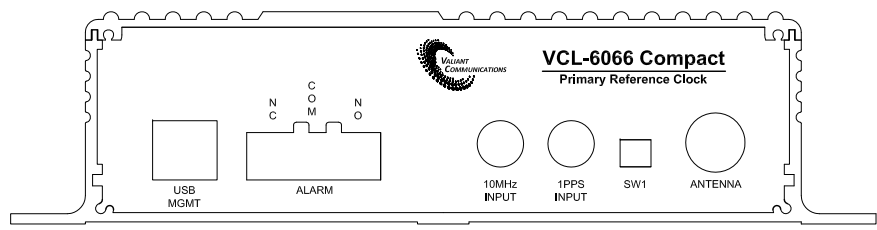
1 2 3 4 5 6 7 8 9 10 11 12 13 14 15

Mechanical Drawing of VCL-6066 Compact Primary Reference Clock

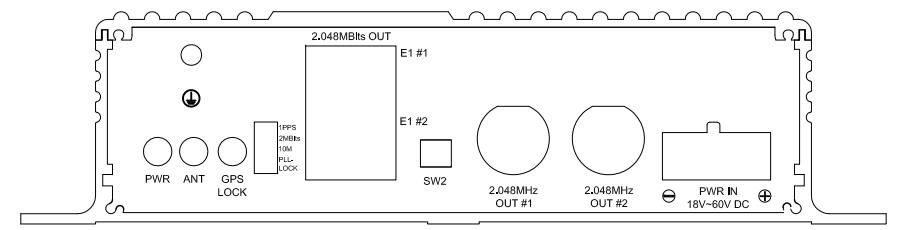


VCL-6066	
Mechanical Dimensions	
Width	168.0 MM
Height	42.0 MM
Depth	175.0 MM
Weight	0.7kg

Front View



Rear View



The Drawing and any information or descriptive matter set out hereon are the confidential property of Valiant Communications and must not be disclosed, loaned, copied, used for manufacturing, tending or any other purpose without their written permission

Title: Mechanical Drawing of VCL-6066 Compact Primary Reference Clock



Drawing No:
EMD-6066/PRC/001

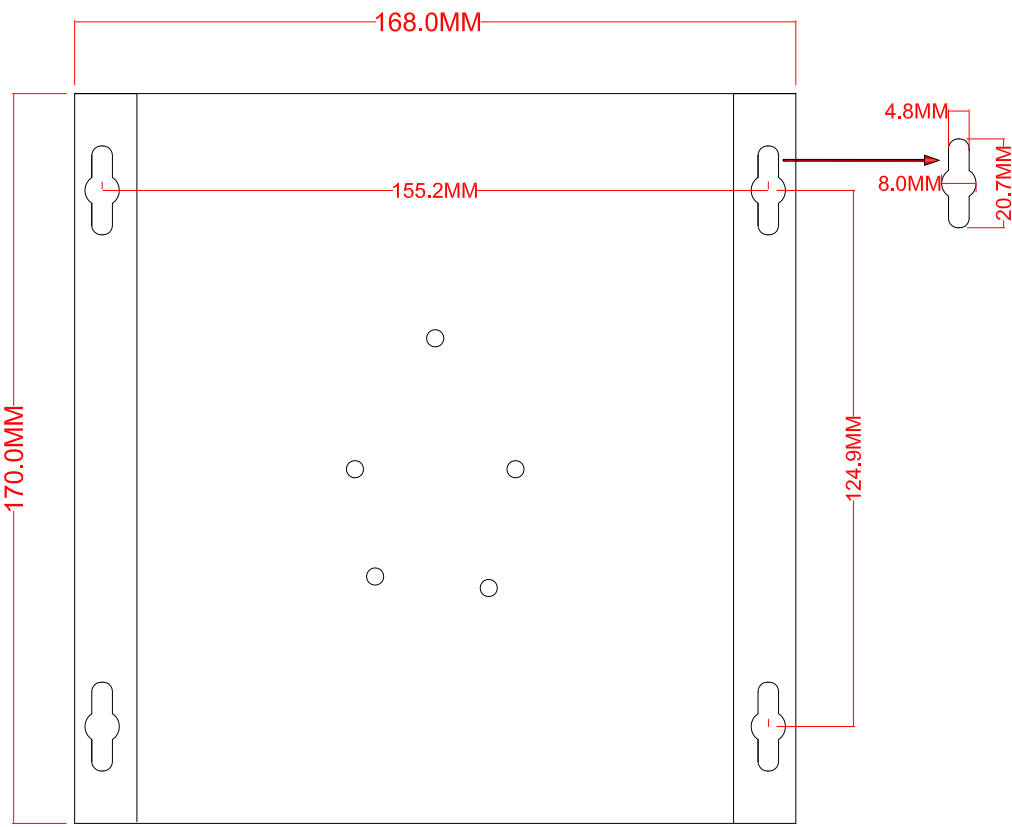
Date	Rev	Sheet	01
Oct 07, 2022	01	Next Sheet	02

APPR.
CHECK
DATE
REVISION
REVISION
NAME
DATE
REVISION

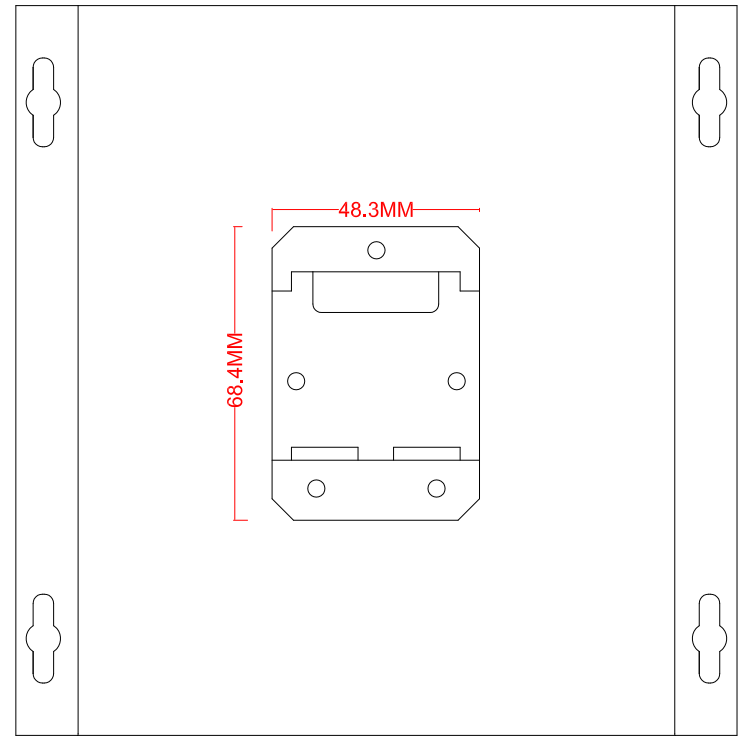
The Drawing and any information or descriptive matter set out hereon are the confidential property of Valiant Communications and must not be disclosed, loaned, copied, used for manufacturing, tending or any other purpose without their written permission

Mechanical Drawing of VCL-6066 Compact Primary Reference Clock

VCL-6066 Bottom View	
Mechanical Dimensions	
Width	168.0 MM
Height	170.0 MM



Bottom View



Bottom View with DIN Rail

Title: Mechanical Drawing of VCL-6066 Compact Primary Reference Clock



Drawing No:
EMD-6066/PRC/001

Date	Rev	Sheet	02
Oct 07, 2022	01	Next Sheet	END

REVISION
DATE
NAME
CHECK
CHECK
CHECK