



16xE1 High Impedance Monitoring Patch Panel (120 Ohms)

16xT1 High Impedance Monitoring Patch Panel (100 Ohms)

Product Brochure

U.S.A.

Valcomm Technologies Inc.
4000 Ponce de Leon Blvd.,
Suite 470, Coral Gables,
FL 33146, U.S.A.

E-mail: us@valiantcom.com

U.K.

Valiant Communications (UK) Ltd
Central House Rear Office,
124 High Street, Hampton Hill,
Middlesex TW12 1NS, U.K

E-mail: gb@valiantcom.com

INDIA

Valiant Communications Limited
71/1, Shivaji Marg,
New Delhi - 110015,
India

E-mail: mail@valiantcom.com

E1/T1, 120/100 Ohms, 16 Port High Impedance Monitoring Patch Panel

What is it used for?

The E1/T1, 120/100 Ohms, 16 Port High Impedance Monitoring Patch Panel is primarily designed for applications where E1 circuits are required to be “patched” as well as simultaneously “tapped” for non-intrusive monitoring applications.

Application - Where is it used?

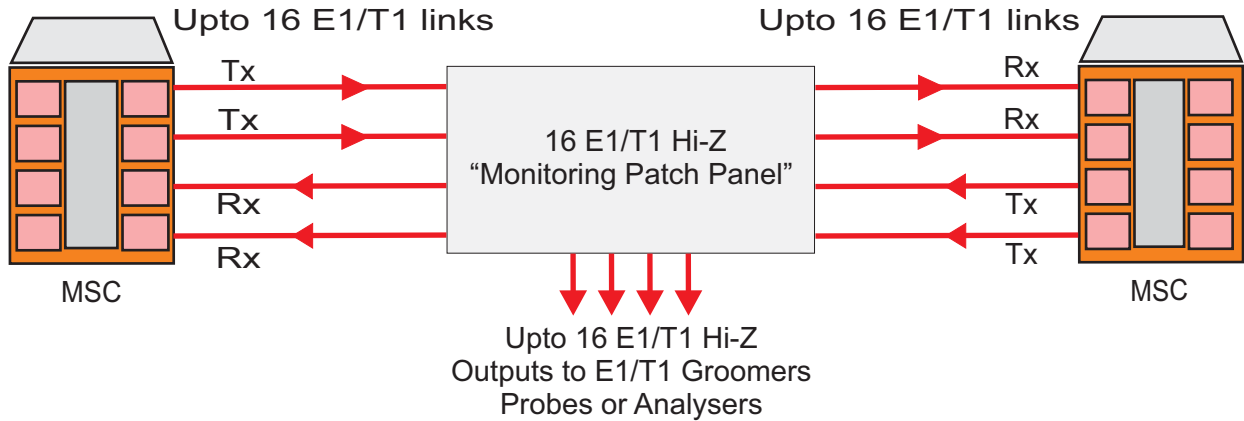
The E1/T1, 120/100 Ohms, 16 Port High Impedance Monitoring Patch Panel is primarily designed to patch up to 16, E1/T1 circuits. It also, simultaneously, provides up to 16 high-impedance (Hi-Z) outputs on it's monitoring (MON) port(s) from which, both the transmit (Tx) and the receive (Rx) signals of the patched E1/T1 link can be “tapped non-intrusively” (i.e without disturbing or loading the active E1/T1 link(s) in any manner, and connected to E1/T1 Groomers, Probes or Analysers.

DIP Switch Settings

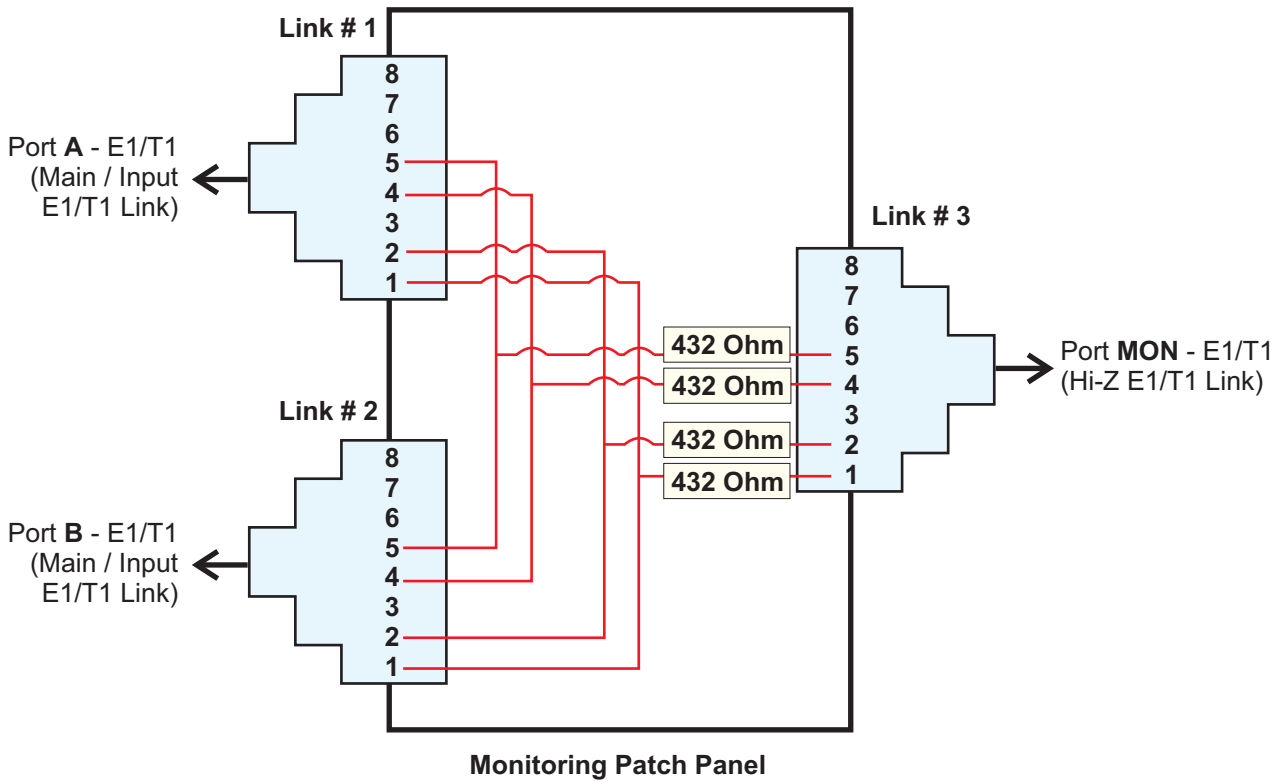


All four DIP switches must be set to **OFF** position for non-intrusive monitoring applications.

Typical Application Diagram



16 x E1/T1 Monitoring Patch Panel - Circuit Schematic

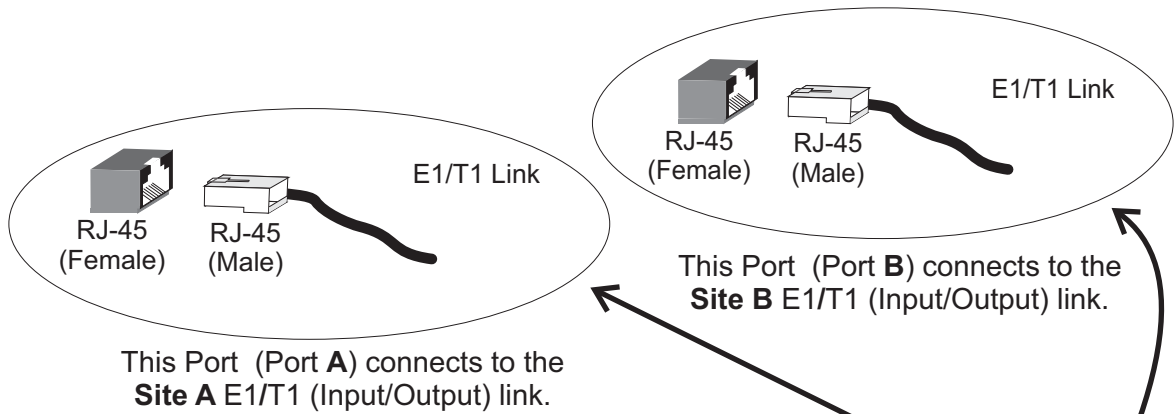


The Hi-Z (432 Ohm) resistive output is provided on the Monitoring (MON) Port of the Patch Panel for connecting to the Groomer / Probe / Analyser.

RJ-45 for E1/T1 Port

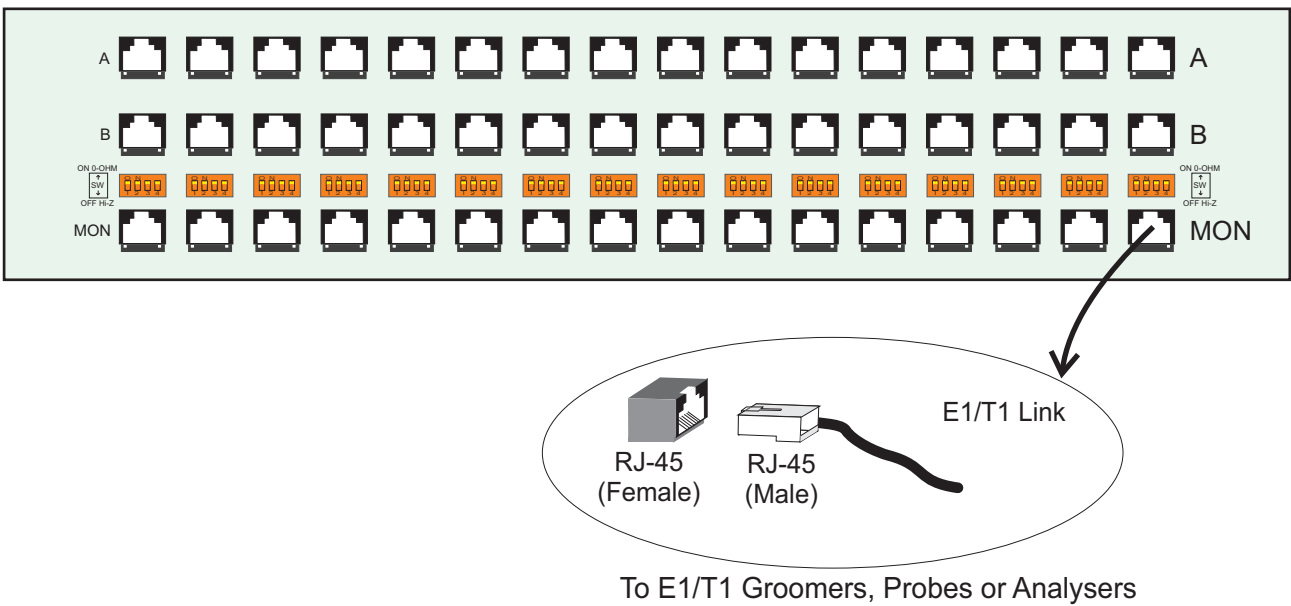
RJ-45 (Female) Pin #	Signal in RJ-45 (Female)
1	Data In / Data Out
2	Data In / Data Out
4	Data Out / Data In
5	Data Out / Data In

Connecting E1/T1 Main Link



The RJ-45 Connectors Row **A** and Row **B** are used for Data IN/Data OUT from/to the **Site A** and **Site B** E1/T1 link.

Connecting Hi-Z Output



The RJ-45 Connectors Row **MON** are used for Hi-Z Data OUT from the E1/T1 link connected on Row **A** and Row **B** to E1/T1 Groomers, Probes or Analysers.

Mechanical Specification

Rack Mounting	Standard 19 Inch. DIN Rack
Height	90 mm.
Depth	45 mm.
Width	485 mm. (with mounting brackets)
Weight	1.4 kg.

Ordering Information

S. No.	Part #	Product Description
1	VCL-1240-MON-120-100-RJ45F-16	16 x E1/T1, 120/100 Ohms RJ45 (F) High Impedance (HiZ) Monitoring Patch Panel 19" Shelf 2U High Mount Version with Hardware Set [RJ45 cables not included]

Technical specifications are subject to changes without notice.
All brand names and trademarks are the property of their respective owners.
Revision 08 - January 07, 2022

U.S.A.
Valcomm Technologies Inc.
4000 Ponce de Leon Blvd.,
Suite 470, Coral Gables,
FL 33146, U.S.A.
E-mail: us@valiantcom.com

U.K.
Valiant Communications (UK) Ltd
Central House Rear Office,
124 High Street, Hampton Hill,
Middlesex TW12 1NS, U.K.
E-mail: gb@valiantcom.com

INDIA
Valiant Communications Limited
71/1, Shivaji Marg,
New Delhi - 110015,
India
E-mail: mail@valiantcom.com